

Diagram 8

Wire colours

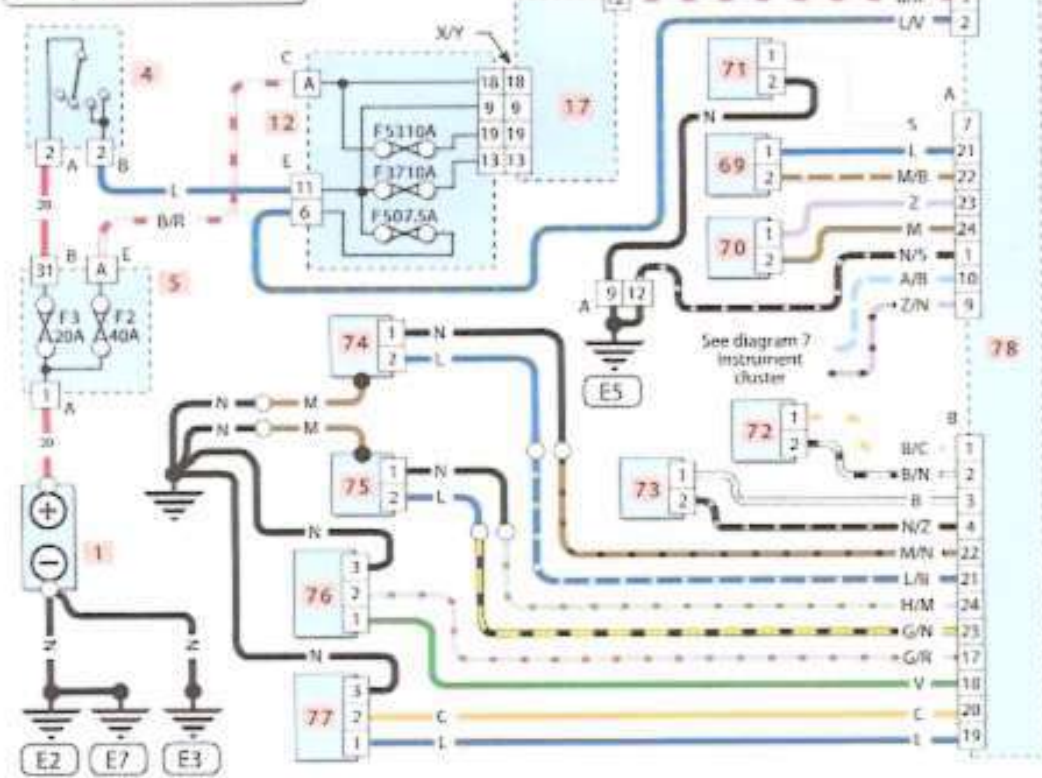
| | | | |
|---|--------|---|------------|
| L | Blue | R | Red |
| Z | Purple | G | Yellow |
| C | Orange | M | Brown |
| S | Pink | A | Light blue |
| H | Grey | B | White |
| V | Green | N | Black |

Key to items

| | | | | | |
|----|----------------------------------|----|-----------------------------|----|--------------------------------------|
| 1 | Battery | 61 | RH front door switch | 70 | Passenger's airbag |
| 4 | Ignition switch | 62 | Heater blower switch | 71 | Passenger's airbag disable switch |
| 5 | Engine fusebox | 63 | Heater blower resistors | 72 | Driver's side airbag crash sensor |
| 12 | Passenger fusebox | 64 | Heater blower motor | 73 | Passenger's side airbag crash sensor |
| 17 | Multi-timer unit | 65 | Heater control illumination | 74 | Driver's side airbag |
| 57 | Front courtesy light | 66 | LH door speaker | 75 | Passenger's side airbag |
| 58 | Luggage compartment light | 67 | RH door speaker | 76 | Driver's curtain airbag |
| 59 | Luggage compartment light switch | 68 | Audio unit | 77 | Passenger's curtain airbag |
| 60 | LH front door switch | 69 | Driver's airbag | 78 | Airbag control unit |

1032021

Safety restraint system



Audio system (low spec.)

