

# FUSES

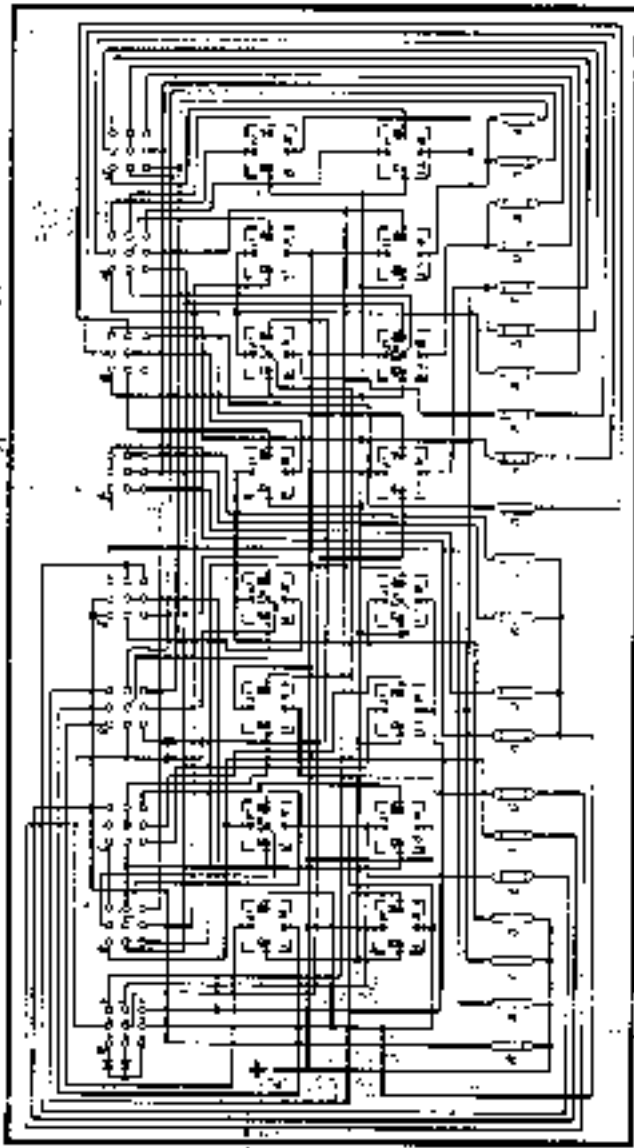
## 1-unit fuse holder (51)

- 31 100 (BB43)
- 32 50 (BK31)
- 33 150 (BK32)
- 34 25 (FK31)
- 35 50 (LL31)
- 36 50 (FK32)
- 37 100 (00-4)
- 38 50 (00-5)
- 39 50 (00-2)
- 40 100 (00-3)
- 41 50 (00-6)
- 42 50 (00-7)

## 6-unit fuse holder (56)

- 43 1 (0A3)
- 44 2 (0A2)
- 45 3 (0A1)
- 46 4 (0A4)
- 47 5 (0A5)
- 48 6 (0A6)

- 49 1 (0A7)
- 50 2 (0A8)
- 51 3 (0A9)
- 52 4 (0A10)
- 53 5 (0A11)
- 54 6 (0A12)



## FUSES ON CIRCUIT CARD (32) IN ELECTRICAL CENTRE

|        |   |       |   |        |
|--------|---|-------|---|--------|
| 10 62A | Cigarette lights, rear lighting, voltage controller                               | (E21) | 315B (C, 118) Indicator and warning lamps, circuit card (S3.B5), Speedometer, Tachometer  | (DB18) |
| 10 62B | Horn, relay and warning lights, Driver Information System                         | (E43) | Constant assistance, Driver Information System  | (BHE)  |
| 10 62C | Identical on light front, Extra direction indicators                              | (E22) | Starting heater, Combination relay  | (E53)  |
| 10 62D | Landing lights, Fill wheel light, Reversing light                                 | (E2P) | Headlamp wipers, Headlamp washers   | (L312) |
| 10 62E | Spotlight, Sockal 7 unit extra for 31   | (E2R) | Fog lights rear   | (C35)  |
| 10 62F | Heated seat, Heated rearview mirror   | (E2S) | Fog lights front  | (E56)  |
| 10 62G | Heated air dryer, Sockal 7 unit extra for 31                                      | (E2T) | Left full beam, Horn dir  | (C36)  |
| 10 62H | Brake lights, Sockal 7 unit extra for 31  | (E2U) | Right full beam   | (C37)  |
| 10 62I | Electromagnetic brake   | (E2V) | Right stopper beam, Level control, level strips   | (C38)  |
| 10 62J | Seat belt latch, M2 (F 11) Speed indicator lamp                                   | (E2W) | Left stopper beam, Elm-dir  | (C39)  |
| 10 62K | Wiper motor, window washer, Windshield wiper motor, Interval wiper, Mirrors motor | (E2X) | Front left, mid, left, Parking light, right, front  | (C40)  |
| 10 62L | Steering wheel heater, Power take-off, only Hazard warning lamps, Window washer   | (E2Y) | Side marking light, right rear, Sockal 7 unit   | (C41)  |
| 10 62M | Combination relay, Fan and blower motor, Exhaust pre-heater, Blower motor         | (E2Z) | Indicator, rear, rear, right, Side marking light, left, mirror, Parking light left, front, Side marking light, left, rear, front, left, right, front, rear, Sockal 7 unit | (C42)  |

## RELAYS ON CIRCUIT CARD (32) IN ELECTRICAL CENTRE

|      |  |        |
|------|--|--------|
| 376  | Relay day warning lights               | (BB43) |
| 308  | Relay indicator lights                 | (E51)  |
| 305  | Relay reversing lights                 | (CK7)  |
| 303  | Relay warning lights                   | (E44)  |
| 343  | Relay fog lights rear                  | (E45)  |
| 301  | Relay fog lights                       | (E46)  |
| 310  | Relay extra direction indicator, left  | (G33)  |
| 315A | Relay starting switch                  | (GN8)  |
| 320A | Alternator commutator relay            | (AA27) |
| 307  | Relay identification lights            | (C427) |
| 327  | Relay alarm lights                     | (E278) |
| 326  | Hobby indicator lamps                  | (C61)  |
| 327  | Relay indicator lamps                  | (C62)  |
| 329  | Relay indicator lamps                  | (C63)  |
| 311  | Relay extra direction indicator, right | (GN1)  |

## CONNECTORS

|       |                          |      |                          |           |             |
|-------|--------------------------|------|--------------------------|-----------|-------------|
| AA 1B | (ND21)                   | ND4  | (XAB)                    | SR15      | (C907       |
| AA 21 | (ND12)                   | RD6  | (CA12 CU12)              | SR16      | (C881       |
| AS1   | (CX9)                    | RA1  | (CA41, CA41, CB35, CB38) | TC1       | (CA14, CA14 |
| ASP   | (XA15)                   | RF2  | (CA43, CA43, CB35, CB39) | TC2       | (CA44, CA44 |
| AS3   | (ND48)                   |      |                          | TC3       | (CA17, TC1  |
| AS4   | (ND54)                   | RG1  | (CG31)                   |           |             |
| AS5   | (CK14)                   | RG2  | (CG31)                   | TEST AB74 | (CA3        |
| AS6   | (ND51, ND55)             | RG3  | (CG32)                   | TEST AB25 | (CA50       |
|       |                          | RG4  | (CG33)                   | TEST AB76 | (CA13       |
|       |                          | RG5  | (CG34)                   | TEST AB27 | (CA16       |
| CA    | (AA30)                   | RG6  | (CG35)                   | TEST AB29 | (CA27       |
| CA5   | (X97)                    | RG7  | (CG32)                   |           |             |
| CA6   | (CPR, UC76)              | RG8  | (CA29)                   | TD1       | (C93)       |
|       |                          | RG9  | (CA31)                   | TD2       | (C94)       |
| CA7   | (CK3)                    | RG10 | (CA31)                   | TD3       | (C95)       |
| CA8   | (CK3)                    |      | (CG11)                   | TD4       | (C96)       |
| CA9   | (CA60, CB64)             | RA1  | (CA57, CA57, CB46, CB48) | TD5       | (C97)       |
| CA10  | (CA74, CB74)             | RA2  | (CA59, CA59, CB49, CB49) | TD6       | (C97)       |
| CA11  | (CA65, UC62)             | RH1  | (CB58, CB58)             | TD7       | (C98)       |
| CA12  | (AA25)                   | PH2  | (CB59, CB59)             | TD8       | (C99)       |
| CA13  | (AA30)                   | SLF1 | (CA39, CB39)             | TH1       | (C92)       |
| CA14  | (AA15)                   | SLF2 | (CA37, CB35)             | TH2       | (C92)       |
| CA15  | (AA13)                   | SLF3 | (CA39, CB39)             | TH3       | (C92)       |
| CA16  | (CA51, CA53, CB53, CB53) | SR1  | (CA54, CB46)             | TH4       | (C92)       |
| CA17  | (CA35, CA35, CB34, CB34) | SR2  | (CA53, CB45)             | TH5       | (C92)       |
| CA18  | (CA49, CA49, CB43, CB43) | SR3  | (CA55, CB46)             | U2        | (AA24)      |
| CA19  | (CA51, CA51, CB44, CB44) | SR4  | (CA62, CB51)             | U6        | (ND4)       |
| CA20  | (CB53, CB53)             | SR5  | (CA61, CB50)             | VR1       | (C98)       |
| CA21  | (CB54, CB54)             | SR6  | (CA61, CB51)             | VR2       | (C97)       |
| CA22  | (CK9)                    | SRF1 | (CA46, CB41)             | VR3       | (C97)       |
| CA23  | (CK14)                   | SRF2 | (CA45, CB40)             | VR4       | (C97)       |
| CA24  | (XA16)                   | SRF3 | (CA47, CB43)             | WA        | (ND1)       |
| CA25  | (ND50, ND50)             | SP1  | (CB56)                   | WB        | (AA7)       |
|       |                          | SP2  | (CB55)                   |           |             |
|       |                          | SP3  | (CB55)                   |           |             |
|       |                          | SR74 | (CB51)                   |           |             |

## FUSES

### 1-unit fuse holder

|    |    |       |
|----|----|-------|
| 51 | SA | (C98) |
| 51 | SA | (C97) |
| 51 | SA | (C92) |
| 51 | SA | (C92) |

### 6-unit fuse holder

|    |   |        |    |   |              |
|----|---|--------|----|---|--------------|
| 55 | 1 | (XAB)  | 56 | 7 | (CA2, CU2)   |
| 56 | 2 | (XAB)  | 56 | 8 | (CA5, CB5)   |
| 56 | 3 | (XAB)  | 56 | 9 | (CA9, CB9)   |
| 56 | 4 | (XA15) | 56 | 5 | (CA11, CB11) |
| 56 | 5 | (XA15) | 56 | 6 | (CA14, CB14) |
| 56 | 6 | (XA15) |    |   |              |

### Fuses on circuit card (32) in electrical centre

52B Brake lights, Socket 7-unit (p. 4).  
Electro-magnetic brake . . . . . CXR

### Relays on circuit card (32) in electrical centre

300 3" Relay, brake lights . . . . . (CK7)  
315A "9" Relay, starting switch . . . . . (AA27)

## LIST OF COMPONENTS

|            |   |
|------------|---|
| 30 A       | Battery (AA4)   |
| 30 B       | Battery (AA4)   |
| 31.AA      | Circuit card, indicator/warning lights (ND5)              |
| 31.BB      | Circuit card, indicator/warning lights (ND17)             |
| 34         | Connector (AA13)  |
| 36 '3'     | Connector, tail lamp junction box (CK9)                   |
| 36 '4'     | Connector, tail lamp junction box (CK9)                   |
| 41         | 4 - '30' terminal electrical centre (AA24)                |
| 77 4       | Plug socket 7-pin (KA14)                                  |
| 78 1       | Extra plug socket 7-pin (KA13)                            |
| 78 14      | Extra plug socket 7-pin (KA11)                            |
| 79 '1'     | Plug socket, ABS (DA12, DB12)                             |
| 79 '2'     | Plug socket, ABS (DA14, DB14)                             |
| 79 '3'     | Plug socket, ABS (DA1, DB1)                               |
| 79 '4'     | Plug socket, ABS (DA10, DB10)                             |
| 79 '5'     | Plug socket, ABS (DA12, DB12)                             |
| 144        | Switch, battery master switch (AA4)                       |
| 150        | Switch, starting switch (AA16)                            |
| 1104       | Switch, bulb control (ND29)                               |
| 1122       | Switch, retarder (GG21)                                   |
| 216        | Closing contact, brake lights (CK7)                       |
| 216 B      | Closing contact, brake lights (CK3)                       |
| 218        | Closing contact, indicator light air cleaner (ND15)       |
| 220        | Closing contact, cam lock (ND23)                          |
| 242        | Break contact, warning light, oil pressure gearbox (ND41) |
| 2007       | Break contact, clutch pedal (GG23)                        |
| 308        | Relay, brake lights (CK7, CK3, DA4, DB4)                  |
| 315 A      | Relay, starting switch (AA27)                             |
| 315 B      | Relay, starting switch (AA23)                             |
| 331        | Relay, eddy-retarder (GG22)                               |
| 3023       | Relay, information ABS (DA22, DB22)                       |
| 3024 '1'   | Relay, solenoid control valve, ABS (DA14, DB14)           |
| 3024 '2'   | Relay, solenoid control valve, ABS (DA21, DB21)           |
| 3025       | Relay, indicator lamp, ABS (DA29, DB29)                   |
| 3025 B     | Relay, indicator lamp, ABS (DA19, DB19)                   |
| 3025 C     | Relay, indicator lamp, ABS (DA8, DB8)                     |
| 3067       | Relay, retarder (GG7, GG8)                                |
| 3063       | Relay, exhaust brake (DB29, DB12)                         |
| 410        | Bulb, brake light, left (CK9)                             |
| 411        | Bulb, brake light, right (CK12)                           |
| 503        | Warning light, oil pressure, engine (ND27)                |
| 505        | Warning light, battery charging (ND24)                    |
| 506        | Warning light, battery charging, white alternator (ND1)   |
| 507        | Warning light, service brake (ND27)                       |
| 509        | Warning light, coolant (ND26)                             |
| 510        | Indicator light, air lock, rear wheels (ND17)             |
| 511        | Indicator light, air lock, shafts (ND18)                  |
| 524        | Indicator light, air cleaner (ND9)                        |
| 526        | Indicator light, eddy-retarder (GG21)                     |
| 528        | Indicator light, preheating (ND26)                        |
| 541        | Warning light, gearbox temperature (ND25)                 |
| 544        | Warning light, oil pressure, gearbox (ND41)               |
| 550        | Warning light, cam lock (ND24)                            |
| 5007       | Indicator lamp, bogie brake (ND21)                        |
| 5008       | Indicator lamp, air suspension, manual position (ND13)    |
| 5009       | Indicator lamp, vehicle, ABS (ND48)                       |
| 5010       | Indicator lamp, water, ABS (ND51)                         |
| 5011       | Indicator lamp, water, ABS (instrument) (ND53)            |
| 5022       | Indicator lamp, retarder (GG22)                           |
| 5035       | Indicator lamp, city limit (ND54)                         |
| 654        | Stator motor (AA12)                                       |
| 658        | Alternator, extra (AA22)                                  |
| 660        | Alternator with charging regulator, AA17                  |
| 6011 'L'   | Solenoid control valve, ABS (DA17, DB16)                  |
| 6012 'L'   | Solenoid control valve, ABS (DA33, DB33)                  |
| 6012 'RT'  | Solenoid control valve, ABS (DA35)                        |
| 6011 'RF'  | Solenoid control valve, ABS (DA45, DB45)                  |
| 6011 'RR'  | Solenoid control valve, ABS (DA61, DB61)                  |
| 6011 'RRT' | Solenoid control valve, ABS (DA61)                        |
| 6018       | Solenoid valve, retarder (GG10)                           |
| 7057 LF    | Sensor, pole wheel, ABS (DA25, DB25)                      |
| 7057 LH    | Sensor, pole wheel, ABS (DA49, DB49)                      |
| 7057 RT    | Sensor, pole wheel, ABS (DA11, DB11)                      |
| 7057 RR    | Sensor, pole wheel, ABS (DA17, DB17)                      |
| 7057 RRT   | Sensor, pole wheel, ABS (DB56)                            |
| 7060       | Sender, temperature retarder (GG13)                       |
| 807        | Eddy-retarder control (GG19)                              |
| 300        | Diode (CK2)   |
| 350        | Electric coils, eddy-retarder (GG3)                       |
| 3008       | Control unit, ABS (DA19, DB20)                            |
| 3054       | Control unit, retarder (GG20)                             |

### ABBREVIATIONS

|     |                   |              |                             |
|-----|-------------------|--------------|-----------------------------|
| D   | Driver            | LHH          | Long cab, high              |
| P   | Passenger         | KHH          | Short cab, high             |
| C   | Centre            | A-tilt       | A-tilt                      |
| F   | Front             | Air position | Air position indicator      |
| I   | Lower             | ATC          | Automatic air conditioning  |
| U   | Upper             | RTV          | Boogie low 17 tonnes        |
| L   | Left              | BLF-F        | Leaf springs, front         |
| R   | Right             | CIAH-AT      | Car heater                  |
| H   | Head              | EC           | EComaker                    |
| LF  | Left rear         | H30000       | Wheelbase 3200 mm           |
| LP  | Left front        | ID, rad      | ID-light                    |
| LL  | Left lower        | INFOSSYST    | Driver Information System   |
| LU  | Left upper        | KONVSYS1     | Standard information system |
| LA  | Left extra axle   | LVA          | Load volume adapted         |
| RF  | Right rear        | Not H30000   | Not wheelbase 3200 mm       |
| RP  | Right front       | Neutral      | Neutral                     |
| RL  | Right lower       | Reason drive | Truck with drive            |
| RU  | Right upper       | S            | Sweden - other markets      |
| RRT | Right, extra axle | DPSKH        | Without technology          |
| LH  | Long cab          |              |                             |
| SH  | Short cab         |              |                             |

### CABLE COLOURS

|     |             |
|-----|-------------|
| PU  | Purple      |
| GR  | Green       |
| Y   | Yellow      |
| W   | White       |
| BL  | Blue        |
| GR  | Grey        |
| BU  | Black       |
| BR  | Brown       |
| R   | Red         |
| VRN | Light brown |
| OR  | Orange      |
| W   | White       |
| P   | Pink        |
| L   | Light       |
| BA  | Light blue  |

If a cable has two colours, this is written out in the following example:

|    |              |        |
|----|--------------|--------|
| EX | Abbreviation | Colour |
|    | VR           | White  |





