



## 电传动自卸车 ELECTRIC DRIVE DUMP TRUCK

徐工集团生产的全系列电传动矿用自卸车，产品吨位覆盖110T到360T，主要适用于露天矿山开采、大规模土方运输的施工，能够充分满足不同矿山的施工需求。该系列产品承载量大，耐颠簸、抗冲击，具有极高的运输效率、舒适的操作性、维护成本低、使用寿命长等特点，是露天矿山施工设备采购的最佳选择。

XCMG boasts a full series of electrically driven dump trucks ranging from 110 t to 360 t, which are mostly applied in construction of opencast mining and large-scale earthwork transporting, making XCMG meet diverse mining and construction demands. Characterized by exceedingly high transport efficiency, comfy operability, low maintenance cost, and long service life, etc., products of this series are of large bearing capacity, firm structure, shockproof performance, and impact resistance, so they are the optimal choice for you in purchase of opencast mining and construction equipments.

## XDE120电传动自卸车 ELECTRIC DRIVE DUMP TRUCK

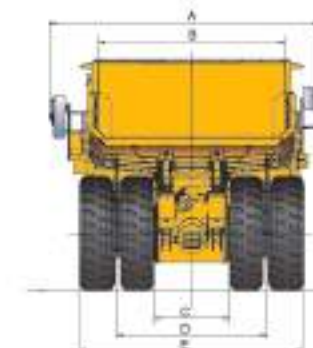


### 性能参数/ Performance Parameters

额定载重 Rated Payload	12000 kg (131 U.S. ton)		
空车自重 Empty Weight	82000 kg		
整车总质量 Gross Vehicle Weight	202000 kg		
驱动形式 Drive Style	4 × 2		
最高车速 Max. Speed	50 km/h		
最大爬坡度 Max. Gradeability	20%		
最小转弯直径 Min. Turning Diameter	22 m		
重量分布 Weight Distribution	空载 Empty	前桥 Front 50%	后桥 Rear 50%
	满载 Loaded	前桥 Front 33%	后桥 Rear 67%
工作容量 (L) Service Capacities	燃油 Fuel	1200	液压油 Hydraulic system 650
	冷却系统 Cooling system	· 330	曲轴箱 Crankcase 129
空箱标准容积 Body Capacity	平装 Struck	60 m³	堆装 2:1 heaped 2:1 73 m³
外形尺寸 (空载, 长 × 宽 × 高) Overall dimension (EMPTY, L × W × H)	11615 × 6800 × 5660 mm		

### 主要部件/ Main Parts

<b>发动机 Engine</b>	
型号 Model	MTU 16V2000C22 Tier 2
额定功率/转速 Rated Power/Speed	899 kW 1205 HP@1800 rpm
最大扭矩/转速 Max. Torque/Speed	5295 Nm @1500 rpm
*选装 Optional	Cummins QSK38 Tier 2
<b>电传动 Electric Drive</b>	
交流电传动系统 Drive System	XCMG AC drive system
主发电机型号 Alternator	XCMG-A865
牵引电机型号 Traction Motor	XCMG-M360
齿速比 Ratio	33.67:1
<b>轮胎与轮毂 Tires And Rims</b>	
标准轮胎 Standard Tire	33.00R51无内胎, 全钢子午线轮胎 33.00R51 Tubeless, all-steel radial tires
*选装 Optional	33.00R51无内胎, 全钢子午线轮胎 33.00R51 Tubeless, all-steel radial tires
<b>驾驶室 Cab</b>	
FOPS驾驶室	FOPS Cab
*选装 Optional	ROPS&FOPS 驾驶室 ROPS&FOPS Cab
<b>制动系统 Brake System</b>	
行车制动 Service Brakes	全液压干盘式制动系统 All hydraulically actuated dry disc brakes at each wheel
电制动 Electric Dynamic Retarder	最大功率1400 kW Max. 1400 kW
<b>前悬架 Front Suspension</b>	
拖式悬架, 空气悬架缸	Sliding pillar type, hydro-pneumatic suspension
<b>液压系统 Hydraulic System</b>	
转向 Steering	流量放大式动力转向, 辅助转向由蓄能器自动提供 Flow amplified power steering; Supplementary steering automatically supplied by accumulators
举升时间 Hoist Time(Power-up Loaded)	16 s
<b>电气系统 Electrical System</b>	
	24 V



A:6800 B:4940 C:1990  
D:3770 E:5650



F:5850 G:570 H:3845  
I:4745 J:5530



K:5660 L:3270 M:1165 N:2960  
O:7380 P:3395 Q:4900 R:2205  
S:3320 T:11615 U:1170 V:4680  
W:10745